

Magnetic Iron A Board



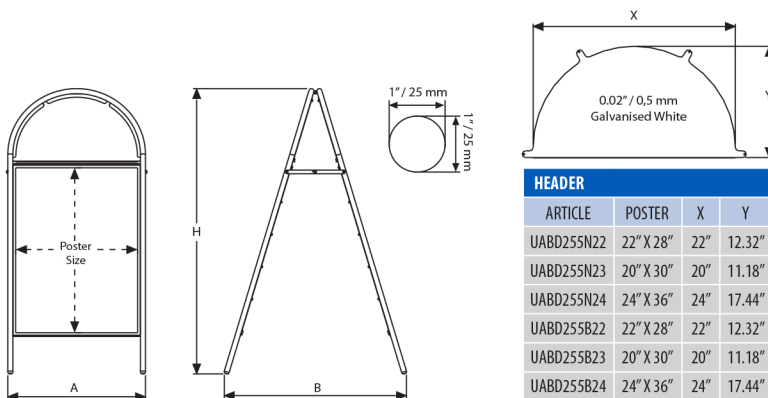
Stable & heavy pavement sign, used from both sides. There is a magnetic cover placed over the poster. The poster sizes are 22"x28", 20"x30", 24"x36". Other sizes are available upon request. Suitable for highly frequented public areas.

- Product is packed single & assembled.
- No tool assembly. Finger hole allows for an easy change of the poster. Header is standard supplied and provides space for corporate logo.
- Heavy steel feet provide stability. Backing tray is galvanized in standard product, powder coating is optional. Comes in black, silver, white color options.

Color options:



Header / Topschild



HEADER				
ARTICLE	POSTER	X	Y	
UABD255N22	22" X 28"	22"	12.32"	
UABD255N23	20" X 30"	20"	11.18"	
UABD255N24	24" X 36"	24"	17.44"	
UABD255B22	22" X 28"	22"	12.32"	
UABD255B23	20" X 30"	20"	11.18"	
UABD255B24	24" X 36"	24"	17.44"	**

MATERIAL : Iron A Board				WEIGHT	PACKING SIZE
ARTICLE	POSTER	A	B	WITH PACKING	*W X H X D
UABD255N22	22" X 28"	25.20"	27.56"	34.281 lbs	26.38" X 51.97" X 2.95"
UABD255N23	20" X 30"	23.15"	33.46"	33.730 lbs	24.02" X 51.97" X 2.95"
UABD255N24	24" X 36"	33.15"	39.37"	40.785 lbs	31.89" X 70.87" X 2.95"
UABD255B22	22" X 28"	25.20"	27.56"	34.281 lbs	26.38" X 51.97" X 2.95"
UABD255B23	20" X 30"	23.15"	33.46"	33.730 lbs	24.02" X 51.97" X 2.95"
UABD255B24	24" X 36"	33.15"	39.37"	40.785 lbs	31.89" X 70.87" X 2.95"

*W:Width H: Height D: Depth

